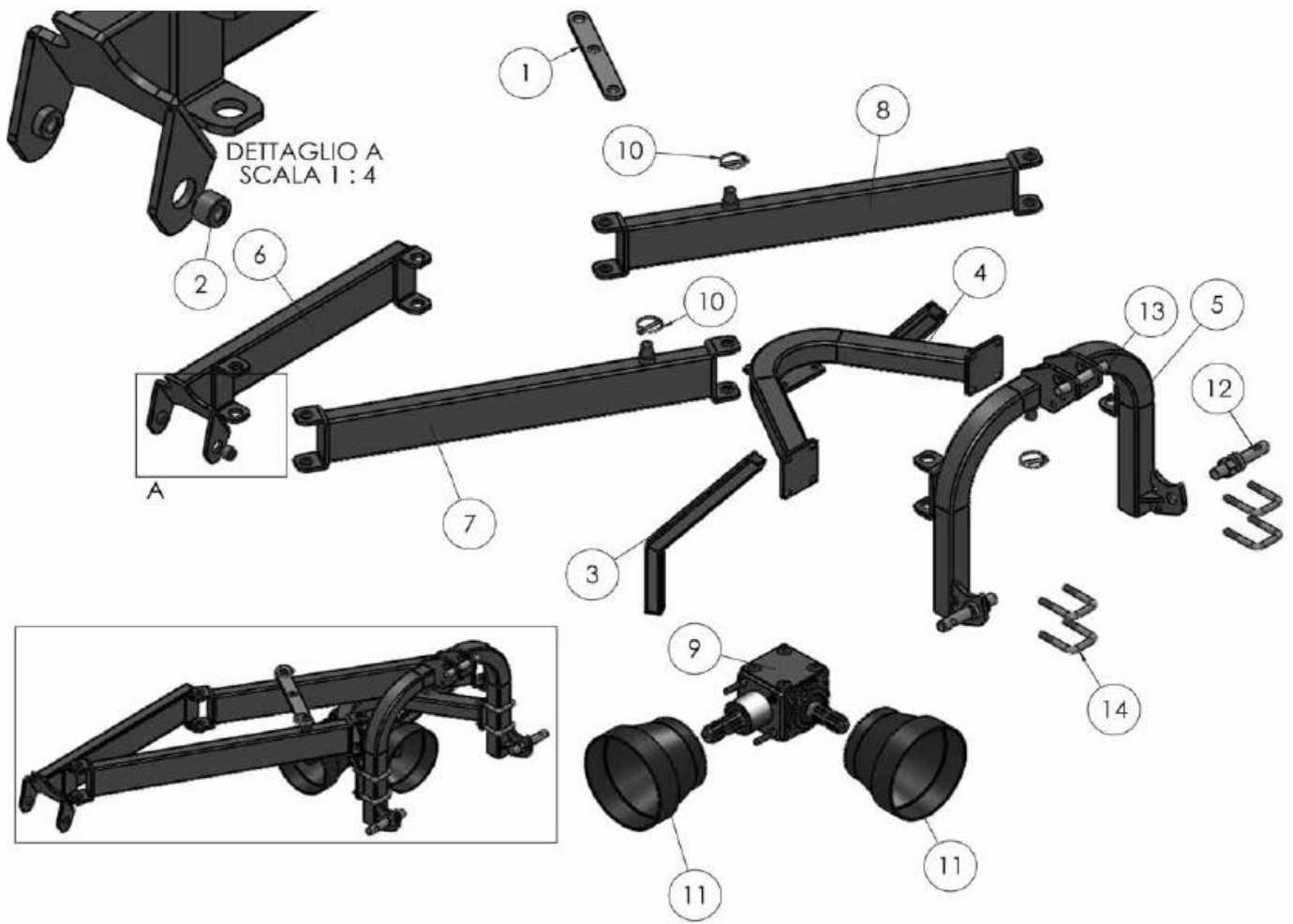
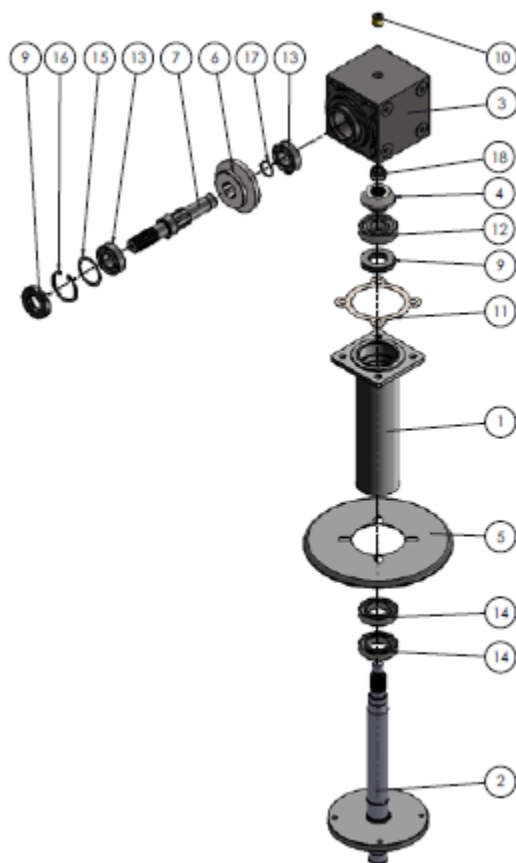


Item	Old Cod	Cod	Descrizione	Description	Q.ty	
1	7CAF300015	7CAF3VC015A	CARTER TFL1550	CARTER TFL1550	1	
1	7CAF300006	7CAF3VC006A	CARTER TFL-1150/1350	CARTER TFL-1150/1350	1	
1	7CAF300005	7CAF3VC005A	CARTER TFL-1000	CARTER TFL-1000	1	
2	8BCSCI0001	8BCSIVC001A	SCATOLA INGRANAGGI	GEAR BOX	1	
3	8BCSCI0002	8BCSIVC002A	SCATOLA INGRANAGGI	GEAR BOX	1	
4	8BCDST0005	8BCDSZM005A	DISTANZIALE TFL1550	TRANSMISSION BUSH TFL-1550	1	
4	8BCDST0004	8BCDSZM004A	DISTANZIALE TFL1350	TRANSMISSION BUSH TFL-1350	1	
4	8BCDST0003	8BCDSZM003A	DISTANZIALE TFL1150	TRANSMISSION BUSH TFL-1150	1	
4	8BCDST0001	8BCDSZM001A	DISTANZIALE TFL1000	TRANSMISSION BUSH TFL-1000	1	
5	7MNZN00001	7MNZNLA001A	MANIGLIA	HANDLE	1	
6	8BCBRL0004	8BCBLAA004A	BRACCIO TFL1550	SIDE ARM TFL-1550	1	
6	8BCBRL0003	8BCBLAA003A	BRACCIO TFL1350	SIDE ARM TFL-1350	1	
6	8BCBRL0002	8BCBLAA002A	BRACCIO TFL1150	SIDE ARM TFL-1150	1	
6	8BCBRL0001	8BCBLAA001A	BRACCIO TFL1000	SIDE ARM TFL-1000	1	
7	800TAM0001	800TMVC001A	TAMBURO	DRUM CARRIAGE BLADE TFA/P-TFL	2	
8	8BCDSS0004	8BCRSVC004A	DISCO SUP. TFL1550	UPPER DISC TFL-1550	2	
8	8BCDSS0003	8BCRSVC003A	DISCO SUP. TFL1350	UPPER DISC TFL-1350	2	
8	8BCDSS0002	8BCRSVC002A	DISCO SUP. TFL1150	UPPER DISC TFL-1150	2	
8	8BCDSS0001	8BCRSVC001A	DISCO SUP. TFL1000	UPPER DISC TFL-1000	2	
9	5204710721	5204710721	LAMA	BLADE	06-08	
10	501006206S	501006206S	CUSCINETTO 6206 2RS	BEARING 6206 2RS	4	
11	8BCDSI0004	8BCRIVC004A	DISCO INF. TFL1550	LOWER DISC TFL-1550	2	
11	8BCDSI0003	8BCRIVC003A	DISCO INF. TFL1350	LOWER DISC TFL-1350	2	
11	8BCDSI0002	8BCRIVC002A	DISCO INF. TFL1150	LOWER DISC TFL-1150	2	
11	8BCDSI0001	8BCRIVC001A	DISCO INF. TFL1000	LOWER DISC TFL-1000	2	
12	418000300A	418000300A	SEEGER Ø30	SHAFT CIRCLIP Ø30	2	
13	5269900004	5269900004	TAPPO OLIO Ø62X7	OIL SEAL Ø62X7	2	
14	418000620F	418000620F	SEEGER Ø62	HOLE CIRCLIP Ø62x2	2	
15	8BCCOF0004	8BCCFVC004A	COFANO TFL1550	BONNET TFL-1550	1	
15	8BCCOF0003	8BCCFVC003A	COFANO TFL1350	BONNET TFL-1350	1	
15	8BCCOF0002	8BCCFVC002A	COFANO TFL1150	BONNET TFL-1150	1	
15	8BCCOF0001	8BCCFVC001A	COFANO TFL1000	BONNET TFL-1000	1	
16	7TL0000007	7TL00LA007A	TELA TFL1550	CURTAIN GUARD TFL-1550	1	
16	7TL0000003	7TL00LA003A	TELA TFL1350	CURTAIN GUARD TFL-1350	1	
16	7TL0000002	7TL00LA002A	TELA TFL1150	CURTAIN GUARD TFL-1150	1	
16	7TL0000001	7TL00LA001A	TELA TFL1000	CURTAIN GUARD TFL-1000	1	
17	4190008C0C	4190008C0C	DADO M8	BOLT M8	6	
18	4058Z10020	4058Z10020	VITE M10X20	SCREW M10x20	3	
19	800PRL0001	800PLFA001A	PORTA LAMA	CARRIAGE BLADE	1	
20	8BCTELD/S0001	7TEF3VC003A	TELAIO TFL1000	BODY RIGHT/LEFT TFL-1000	2	
20	8BCTELD/S0002	7TEF3VC004A	TELAIO TFL1150	BODY RIGHT/LEFT TFL-1150	2	
20	8BCTELD/S0003	7TEF3VC005A	TELAIO TFL1350	BODY RIGHT/LEFT TFL-1350	2	
20	8BCTELD/S0004	7TEF3VC010A	TELAIO TFL1550	BODY RIGHT/LEFT TFL-1550	2	



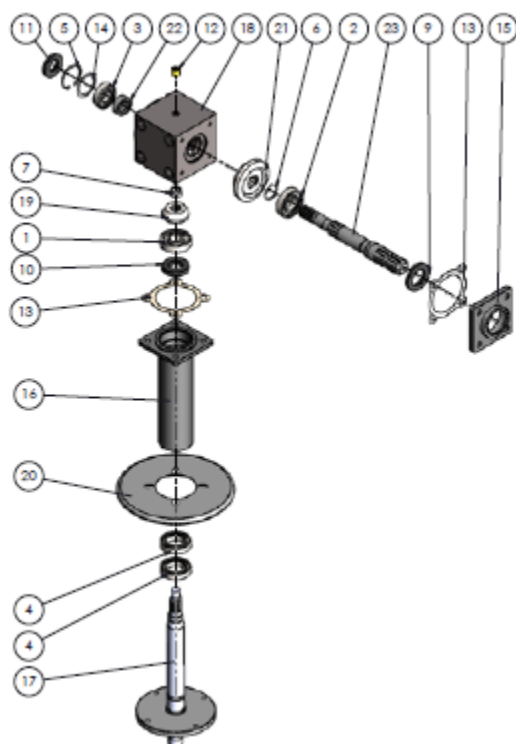
Item	Old Cod	Cod	Descrizione	Description	Q.ty
1	7ASF3Z0001	7ASF3ZM001A	ASTA BLOCCAGGIO TFL1000/1150	LOCK PLATE TFL1000-1150	1
1	7ASF3Z0002	7ASF3ZM002A	ASTA BLOCCAGGIO TFL1350	LOCK PLATE TFL-1350	1
2	7ASF3Z0003	7BSF3FA003A	BUSSOLA Ø25	BUSH Ø25	10
3	7GMF300006	7GMF3ZM005A	APPOGGIO	SUPPORT	1
4	8BCARC0002	8BCARVC002A	PORTA SCATOLA	GEAR BOX SUPPORT	1
5	8BCARC0001	8BCARVC003A	TERZO PUNTO	THREE POINT LINKAGE CAT 1°	1
6	8BCBRC0004	8BCSTVC001A	UNIONE PARALLELE	CONNECTION ARMS	1
7	8BCBRCD001-2	8BCSTVC002A	PARALLELA DX TFL1000/1150	RIGHT ARM TFL1000/TFL1150	1
8	8BCBRCS001-2	8BCSTVC003A	PARALLELA SX TFL1000/1150	LEFT ARM TFL1000/TFL1150	1
7	8BCBRCD003	8BCSTVC004A	PARALLELA DX TFL1350	RIGHT ARM TFL1350	1
8	8BCBRCS003	8BCSTVC005A	PARALLELA SX TFL1350	LEFT ARM TFL1350	1
7	8BCBRCD004	8BCSTVC006A	PARALLELA DXTFL1550	RIGHT ARM TFL1550	1
8	8BCBRCS004	8BCSTVC007A	PARALLELA SX TFL1550	LEFT ARM TFL1550	1
9	8BCSCI0003	8BCSIVC003A	SCATOLA INGRANAGGI	GEAR BOX	1
10	5269900001	5269900001	SPINA	PIN Ø6mm	3
11	5269900008	5269900008	CUFFIA	PTO GUARD	2
12	5269900010	5269900010	PERNO Ø22	PIN Ø22,2X22,5	2
13	5269900011	5269900011	PERNO Ø19	PIN Ø19 WITH CHAIN	1
14	5269900013	5269900013	CAVALLOTTO	U BOLT	4

8BCSIVC001A



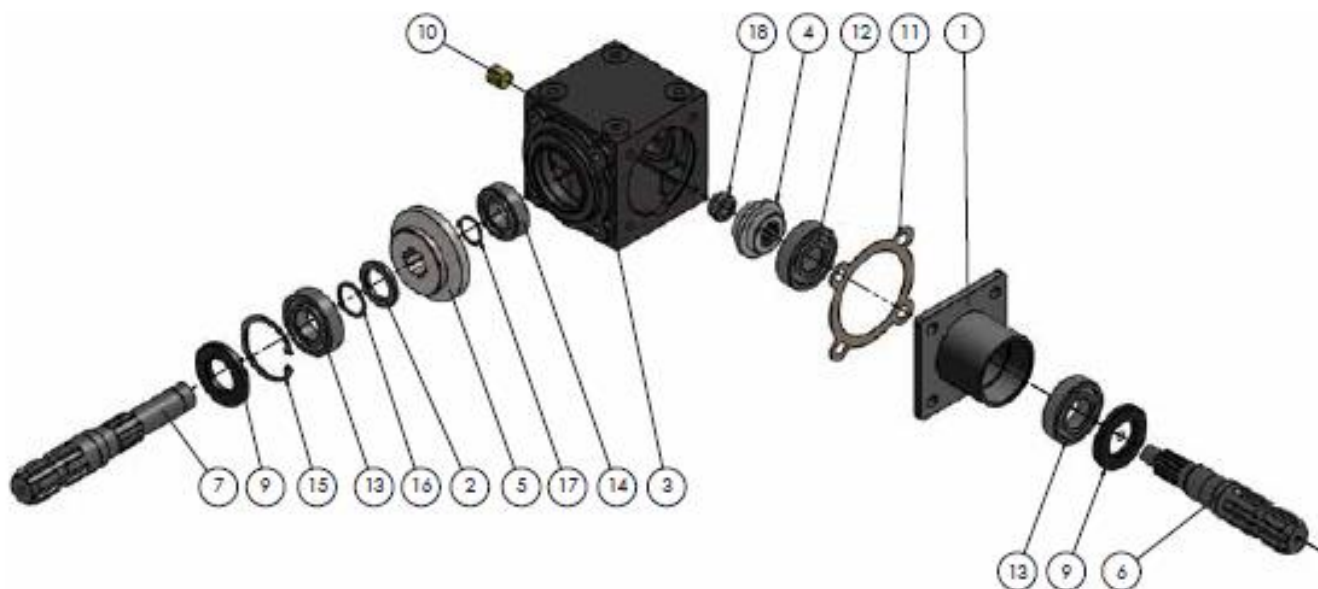
Item	Old Cod	Cod	Descrizione	Description	Q.ty	
1	8BCDST0002	8BCDSSA002A	SUPPORTO ALBERO	SUPPORT CARRIAGE BLADE SHAFT	1	
2	8BCALB0001	8BCALSA001A	ALBERO PORTA LAME	CARRIAGE BLADE SHAFT	1	
3	7SLGH00008	7SLGHFA008A	FUSIONE GHISA	CAST BOX	1	
4	7PG1800002	7PG18TA002A	PIGNONE Z10	PINION Z10	1	
5	7DCF300010	7DCF3FA010A	PARAERBA	COVER PROTECTION	1	
6	7CO1800004	7CO18TA004A	CORONA Z20	GEAR Z20	1	
7	7ABF300006	7ABF3FA006A	ALBERO USCITA	OUTPUT SHAFT	1	
8	525SAE90EP	525SAE90EP	OLIO SAE90	OIL SAE 90 EP	0,4	
9	519S305510	519S305510	PARAOLIO 30-55-10	SEAL RING 30-55-10	2	
10	517O130380	517O130380	TAPPO OLIO	OIL CAP	1	
11	513G128080	513G128080	GUARNIZIONE	GASKET G120	1	
12	5010063050	5010063050	CUSCINETTO 6305	BEARING 6305	1	
13	5010062050	5010062050	CUSCINETTO 6205	BEARING 6205	2	
14	501006007S	501006007S	CUSCINETTO 6007 2RS	BEARING 6007 2RS	2	
15	430A524205	430A524205	SPESSORE	SPACER $\varnothing e52 \varnothing i42 \times 0.5$	1	
16	418000520F	418000520F	SEEGER $\varnothing 52$	HOLE CIRCLIP $\varnothing 52 \times 2$	1	
17	418000250A	418000250A	SEEGER $\varnothing 25$	SHAFT CIRCLIP $\varnothing 25 \times 1,5$	1	
18	4138Z16AFB	4138Z16AFB	DADO M16	NUT M16 MA	1	

8BCSIVC002A



Item	Old Cod	Cod	Descrizione	Description	Q.ty
1	5010063050	5010063050	CUSCINETTO 6305	BEARING 6305	1
2	5010062060	5010062060	CUSCINETTO 6206	BEARING 6206	1
3	5010062050	5010062050	CUSCINETTO 6205	BEARING 6205	1
4	501006007S	501006007S	CUSCINETTO 6007 2RS	BEARING 6007 2RS	2
5	418000520F	418000520F	SEEGER Ø52	HOLE CIRCLIP Ø52x2	1
6	418000300A	418000300A	SEEGER Ø30	SHAFT CIRCLIP Ø30x1.5	1
7	4138Z16AFB	4138Z16AFB	DADO M16	NUT M16 MA	1
8	525SAE90EP	525SAE90EP	OLIO SAE90	OIL SAE 90 EP	0,4
9	519S356207	519S356207	PARAOLIO 35-62-7	SEAL RING 35-62-7	1
10	519S305510	519S305510	PARAOLIO 30-55-10	SEAL RING 30-55-10	1
11	519S255207	519S255207	PARAOLIO 25-52-7	SEAL RING 25-52-7	1
12	517O130380	517O130380	TAPPO OLIO Ø62X7	OIL TAP	1
13	513G128080	513G128080	GUARNIZIONE	GASKET	2
14	430A524205	430A524205	SPESSORE	SPACER Øe52 Øi42 X 0.5	1
15	8BCSPC0001	8BCSPSA001A	SUPPORTO CUSCINETTI	BEARING SUPPORT	1
16	8BCDST0002	8BCDSSA002A	SUPPORTO ALBERO	SUPPORT CARRIAGE BLADE SHAFT	1
17	8BCALB0001	8BCALSA001A	ALBERO PORTA LAME	CARRIAGE BLADE SHAFT	1
18	7SLGH00007	7SLGHFA007A	FUSIONE GHISA	CAST BOX	1
19	7PG1800002	7PG18TA002A	PIGNONE Z20	PINION Z10	1
20	7DCF300010	7DCF3FA010A	PARAERBA	COVER PROTECTION	1
21	7CO1800004	7CO18TA004A	CORONA Z20	GEAR Z20	1
22	7BSF300012	7BSF3FA012A	BUSSOLA	BUSHINGH	1
23	7ABF300005	7ABF3TA005A	ALBERO DI ENTRATA	INPUT SHAFT	1

8BCSIVC003A



Item	Old Cod	Cod	Descrizione	Description	Q.ty
1	8BBDST0002	8BBDSSA002A	SUPPORTO ALBERO	SUPPORT SHAFT	1
2	7SPF300004	7SPF3FA004A	SPESSORE	SPACER	1
3	7SLGH00001	7SLGHFA001A	FUSIONE GHISA	CAST BOX	1
4	7PG1800002	7PG18TA002A	PIGNONE Z10	PINION Z10	1
5	7CO1800004	7CO18TA004A	CORONA Z20	GEAR Z20	1
6	7ABF300004	7ABF3TA004A	ALBERO USCITA	OUTPUT SHAFT	1
7	7ABF300003	7ABF3TA003A	ALBERO ENTRATA	INPUT SHAFT	1
8	525SAE90EP	525SAE90EP	OLIO SAE 90	OIL SAE 90	0,4
9	519S356207	519S356207	PARAOLIO 35-62-7	SEAL RING 35-62-7	2
10	517O130380	517O130380	TAPPO OLIO Ø62X7	OIL TAP 3/8"	1
11	513G128080	513G128080	GUARNIZIONE	GASKET	1
12	5010063050	5010063050	CUSCINETTO 6305	BEARING 6305	1
13	5010062060	5010062060	CUSCINETTO 6206	BEARING 6206	2
14	5010062050	5010062050	CUSCINETTO 6205	BEARING 6205	1
15	418000620F	418000620F	SEEGER Ø62	HOLE CIRCLIP Ø62x2	1
16	418000300A	418000300A	SEEGER Ø30	SHAFT CIRCLIP Ø30x1,5	1
17	418000250A	418000250A	SEEGER Ø25	SHAFT CIRCLIP Ø25x1,5	1
18	4138Z16AFB	4138Z16AFB	DADO M16	NUT M16 MA	1